

Marketing Datasheet

Powered Cart with Keyboard Tray



Substance Protection



Total Mobility, free movement



Everything On One system



Features

- Seamless moulding and smooth surfaces for easy cleaning
- Lightweight maneuverability
- Height adjustable
- Integrated cable management system
- Power ready with our Geni-Tec™ power system for power on the go
- Small footprint

The Medi-stand is designed to be lightweight, strong and practical in use. Our stable platform and custom aluminium base is fitted with heavy duty castors making our Medistand capable of withstanding the rigours of hospital environments. All surfaces have been finished for quick and effective cleaning.

Colour coded inserts can be fitted for effective management between departments, or for branding. With a wide range of accessories including the Geni-Tec Power system, then Medi-Stand is truly adaptable to many uses including medical equipment mounting or computer display applications.

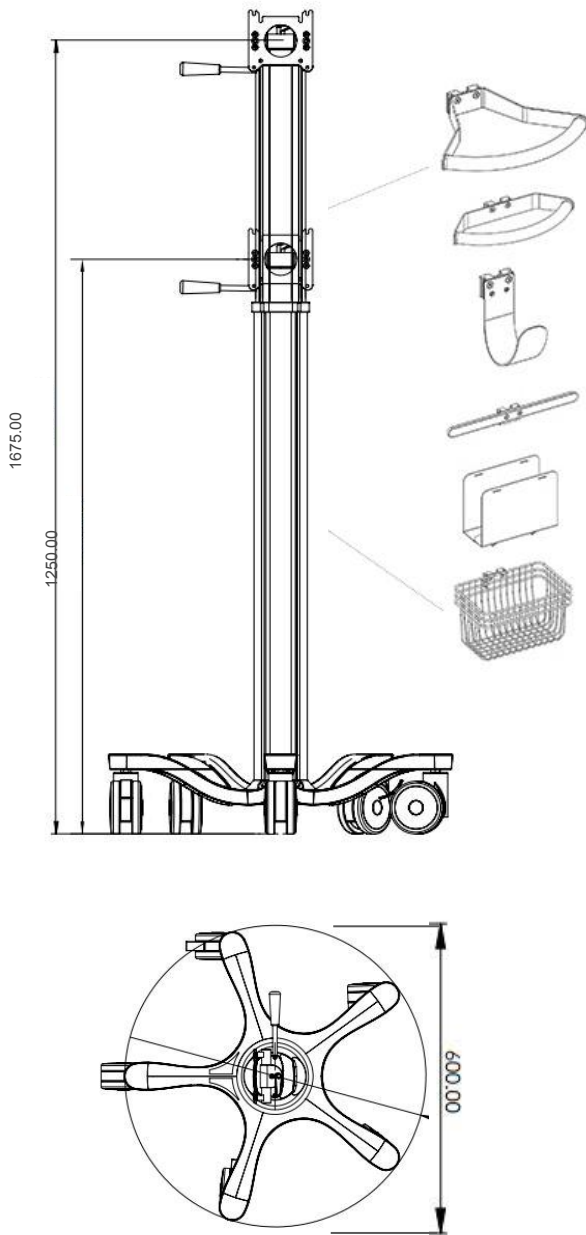
Mount limit	Max Weight	Adjustable	Tilt	Pan	Rotation	Vesa	Castors
Max 12kg	Max 18kg	1250mm-1750mm	95°	360°	Optional	100mm/75mm	All brakes

Notice

Bytec Healthcare takes reasonable steps to ensure that all technical information and recommendations disclosed in our datasheets, brochures and website are based upon our experience and research, it is provided in good faith. Users shall independently determine the suitability of the products shown for their particular regional requirements and intended use, and will ensure that they meet the relevant regulations for the countries of use, as these may differ greatly from country to country. As such we accept no liability whatsoever for any inaccuracies herein disclosed. Please feel free to contact our technical teams, who would be delighted to advise you on specific regulatory issues. Bytec Healthcare reserves the right to alter, delete or make obsolete any product featured in its brochures, datasheet and website without prior notice. E&OE. © Copyright Bytec Healthcare Limited 2019 MediStand is a trademark of Bytec Healthcare Ltd.

Marketing Datasheet

Powered Cart with Keyboard Tray



Height	1270mm to 1770mm range (400mm Adjustable- 300mm optional)
Fixed Height	Various (Standard length 1250mm)
Footprint	400mm X 955mm
Max Tilt Angle	10 Degrees (in a static tilt test) As per EN-60601-1 section 9.4.2.1
Max Carrying Load	18 kg (Subject to height)
System Input voltage	28VDC (via Gen-PSU-180 Supplied Separately)
With of Unit	675mm diameter
Accessories Available	Handle, Basket, Medi-Rail, Mount, Cable Hook, Drip Pole, DC Adapter Holder
Castors	5 Castors, 100mm, All braked 4 Castors, 100mm, All braked
Compliance	CE



Ordering Please find the part number configurator below. For More configuration please visit our website.

Family	Product Description	Part Number
MEDI	Mount plate (STD) with fixed height, Extrusion length (1000mm) 5 star base 675mm, 100 mm standard wheels	MDS-M00D-0464
	Mount plate (STD) with fixed height, Extrusion length (1000mm) 4 wheel base, 100 mm standard wheels	MDS-M081-0464
	Display mount (VESA STD) with fixed height, Extrusion length (1250mm), 4 wheel base, 100 mm standard wheels	CMS-V081-047D
	Display mount (VESA STD) with height adjustable (400mm), Extrusion length (1000mm) - 4 wheel base, 100 mm standard wheels	CMS-V081-0764

Customization

For customisation options please contact the sales team on +44 (0) 1737 378 820